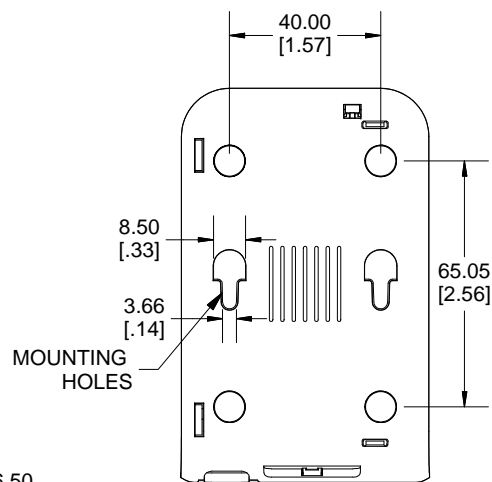
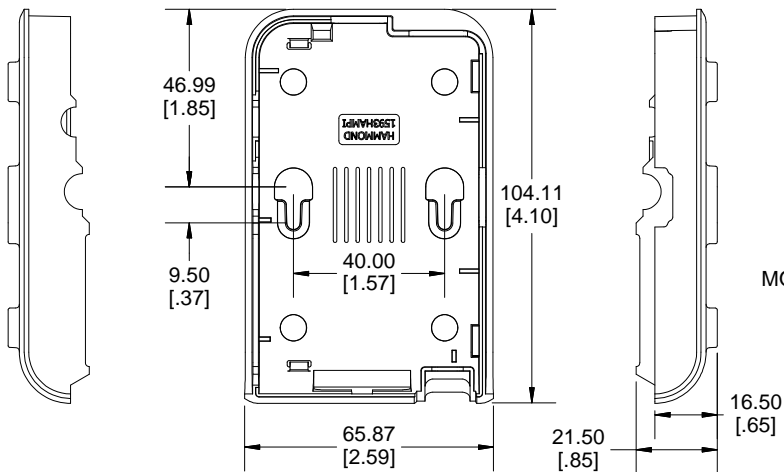


Enclosures can be Factory Modified (Milling, Drilling, Printing etc.)
 Contact Factory mjm@hammondmfg.com for quotes
 Solid models of this enclosure available in STEP or IGES.



NOTE
 Purchased assembly includes top and bottom cover, 4 clear rubber feet,(Development Board is not Included)

PART NUMBERS	
1593HAMPI Enclosure	
Black Enclosure	1593HAMPIBK
Grey Enclosure	1593HAMPIGY
Transparent Blue Enclosure	1593HAMPIBU

Dimensions:
 mm
 [inches]

HAMMOND MANUFACTURING™

1593HAMPI

www.hammondmfg.com

Mouser Electronics

Authorized Distributor

Click to View Pricing, Inventory, Delivery & Lifecycle Information:

Hammond:

[1593HAMPIGY](#) [1593HAMPITBU](#) [1593HAMPIBK](#) [1593HAMPICLR](#)