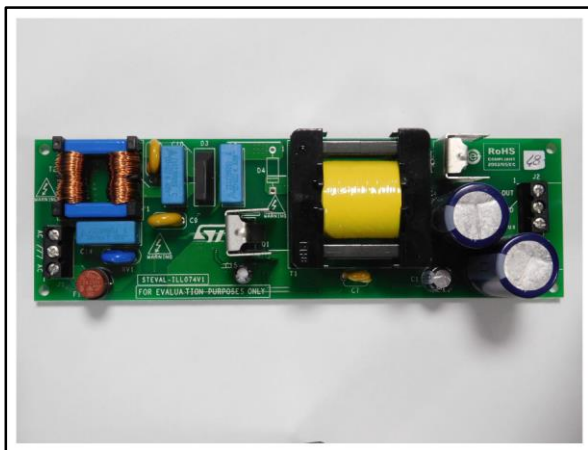


60 W wide input range flyback converter using HVLED001A quasi resonant flyback controller

Data brief



Features

- Input voltage: $V_{in} = 90 - 277 V_{rms}$, $f = 45-66$ Hz
- Output voltage: 52 V / 1.2 A
- High power factor, low THD
- Full load efficiency: greater than 90%
- Short circuit protection
- Safety: complies with EN60065
- PCB board: 165 mm x 50 mm double sided PCB
- RoHS compliant

Description

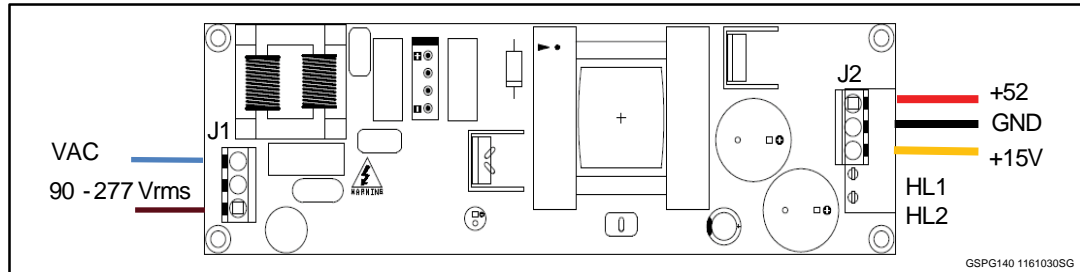
The STEVAL-ILL074V1 provides a stable and insulated 52 V voltage bus suitable for secondary side circuitry (e.g., LED current generators), for a total output power of 60 W, given a wide input voltage range. An auxiliary 15 V output is also present to supply small circuitries absorbing a maximum current of 50 mA.

A very high power factor is obtained thanks to the features of the HVLED001A device. Input voltage variations, excessive input voltage (overvoltage from surges or bursts) or very low input voltages are handled through several HVLED001A protections, improving the reliability of the application.

Output short circuit and overload protections with auto-restart are available for safe operation in lighting environments.

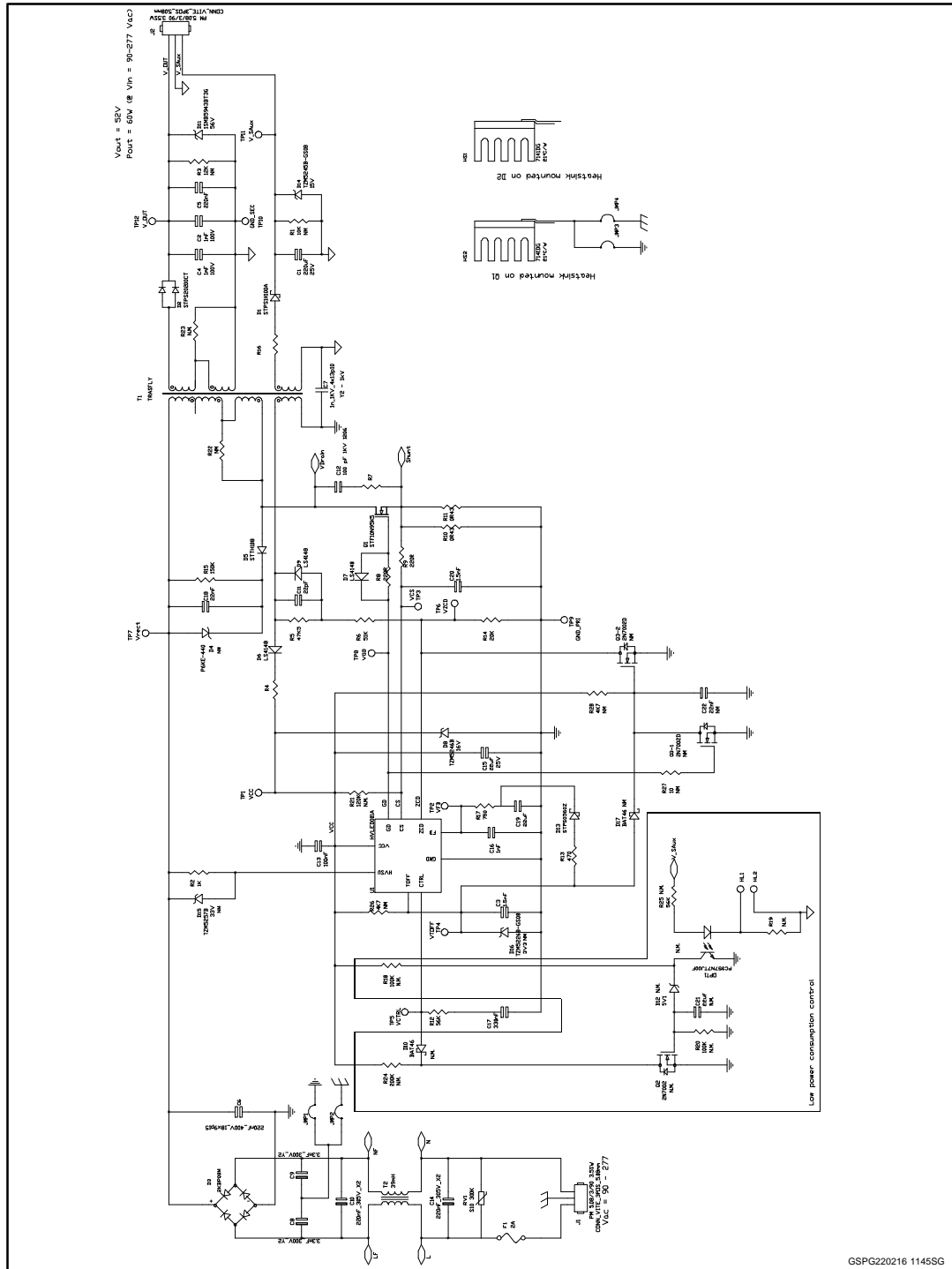
1 Board circuit

Figure 1: Board connections



2 Schematic diagram

Figure 2: STEVAL-ILL074V1 circuit schematic



GSPG220216 1145SG

3 Revision history

Table 1: Document revision history

Date	Version	Changes
14-Jan-2016	1	Initial release.
19-Feb-2016	2	Updated: title on the cover page and figure 2 STEVAL-ILL074V1 circuit schematic.
10-Mar-2016	3	Updated: Figure 2 STEVAL-ILL074V1 circuit schematic.

IMPORTANT NOTICE – PLEASE READ CAREFULLY

STMicroelectronics NV and its subsidiaries ("ST") reserve the right to make changes, corrections, enhancements, modifications, and improvements to ST products and/or to this document at any time without notice. Purchasers should obtain the latest relevant information on ST products before placing orders. ST products are sold pursuant to ST's terms and conditions of sale in place at the time of order acknowledgement.

Purchasers are solely responsible for the choice, selection, and use of ST products and ST assumes no liability for application assistance or the design of Purchasers' products.

No license, express or implied, to any intellectual property right is granted by ST herein.

Resale of ST products with provisions different from the information set forth herein shall void any warranty granted by ST for such product.

ST and the ST logo are trademarks of ST. All other product or service names are the property of their respective owners.

Information in this document supersedes and replaces information previously supplied in any prior versions of this document.

© 2016 STMicroelectronics – All rights reserved

Mouser Electronics

Authorized Distributor

Click to View Pricing, Inventory, Delivery & Lifecycle Information:

[STMicroelectronics:](#)

[STEVAL-ILL074V1](#)