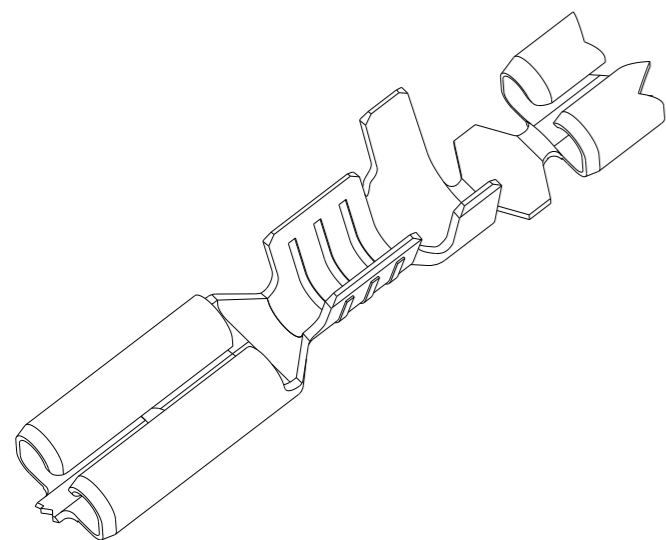
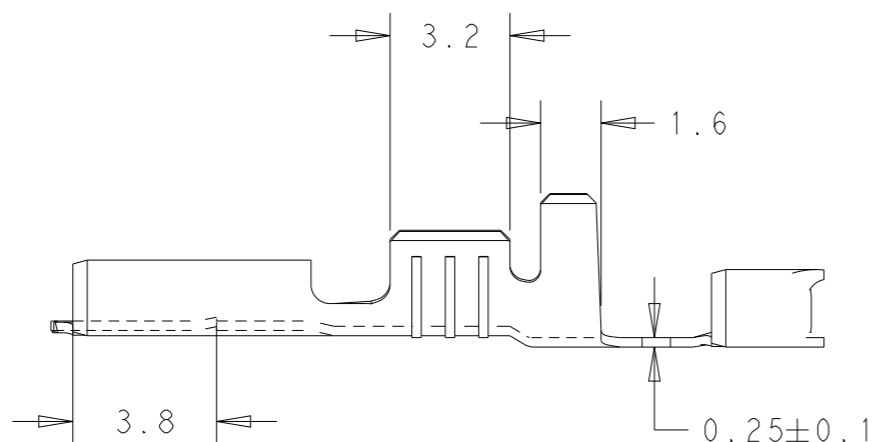
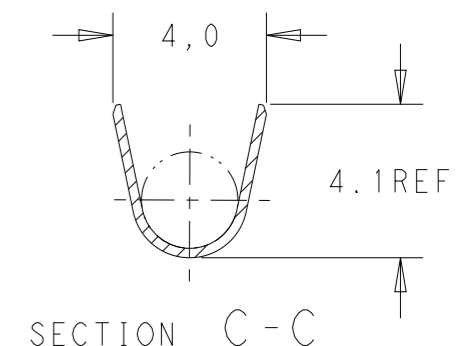
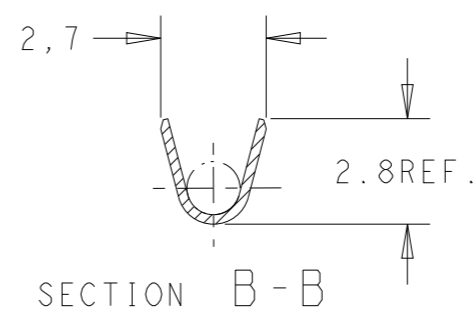
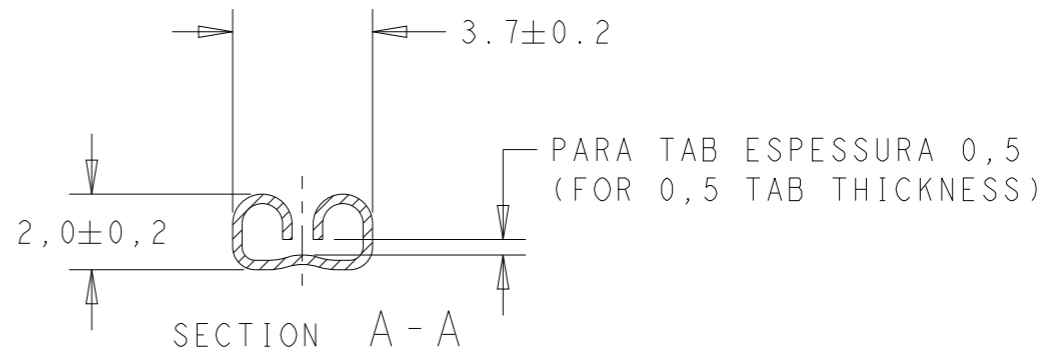
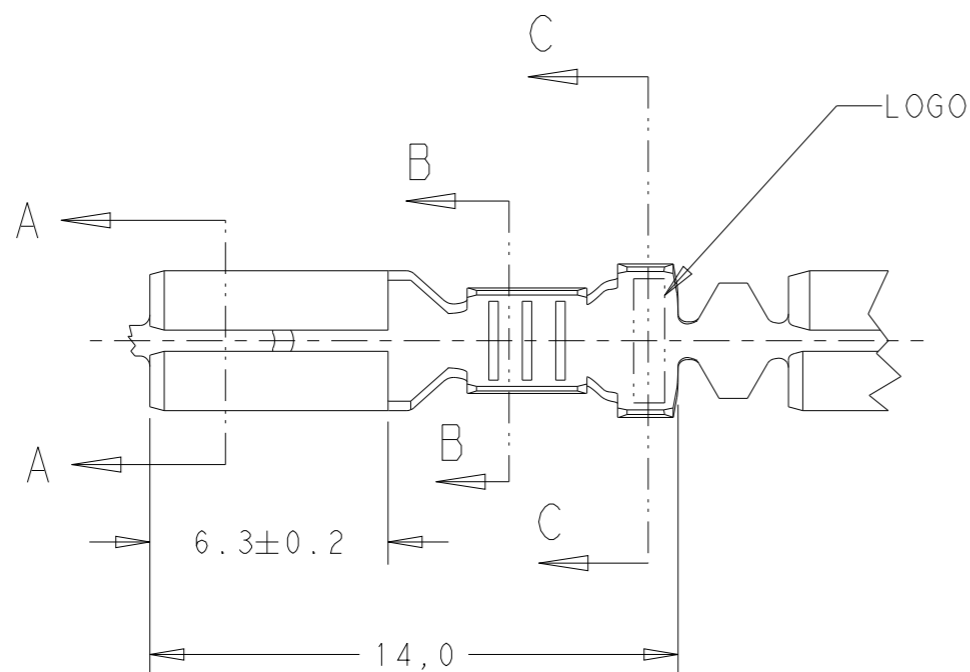


LOC	DIST
AP	-

REVISIONS					
P	LTR	DESCRIPTION	DATE	DWN	APVD
	R2	REV. BY ECO-12-013683	26JUL2012	HC	WLS
	S	REVISED PER ECN-26-376145	31MAR2026	WLS	DL



626061-2	ESTANHADO/TIN-PLATED	LATÃO/BRASS	626042-2
626061-1	-	LATÃO/BRASS	626042-1
LOOSE PIECE	FINISH	MATERIAL	PART NUMBER

INS. RANGE: 2,03-3,04mm ²	WIRE RANGE: 0,5-1,5 mm ²
-----------------------------------------	----------------------------------------

THIS DRAWING IS A CONTROLLED DOCUMENT.		DWN H.C. CANTERI 24JUL2012	TE Connectivity		
		CHK W.L. STEFANI 26JUL2012			
DIMENSIONS: mm	TOLERANCES UNLESS OTHERWISE SPECIFIED:	APVD -	NAME		
	0 PLC ±-	PRODUCT SPEC	.110 SERIES FASTON RECEPTACLE		
	1 PLC ±0,3	108-37014			
	2 PLC ±-	APPLICATION SPEC	SIZE	CAGE CODE	DRAWING NO
	3 PLC ±-	114-2036	A3	00779	C-626042
	4 PLC ±-	WEIGHT	RESTRICTED TO		
	ANGLES ±-	-	SCALE 5:1 SHEET 1 OF 1 REV S		
MATERIAL	FINISH	CUSTOMER DRAWING			