

# B3SE

Ultra-thin Sealed Surface-mounting Tactile Switch

## PCB surface-mounting 6-mm square type that achieves high durability with an ultra-thin, sealed structure.

- A height of 2 mm contributes to the development of thinner and smaller devices.
- Sealed construction conforming to IP67 (IEC 60529) provides high contact reliability in dusty environments. (\* Excluding the terminal section.)
- Crisp click feeling and high durability of 1million operations.
- Surface-mounting pin type is suitable for high-density mounting.
- A small package containing 100 embossed taping reels is available, in addition to the standard package containing 2000 reels.



RoHS Compliant

## List of Model

### 6 × 6 mm Models

Type	Contact material	Plunger	Height	Operating force (OF)	Plunger color	Embossed tape	
						Model	Minimum packing unit
B3SE	Silver plated		2.0 mm	1.96 N {200 gf}	Blue	B3SE-1002P	2,000
						B3SE-1002P-R100	100

Note: Orders must be made in multiples of the minimum order. Switches are not sold individually.

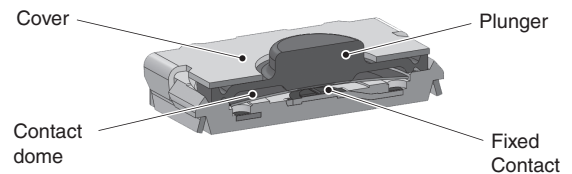
## Ratings/Characteristics

Rating (resistive load)	1 to 50 mA at 3 to 12 VDC
Minimum applicable load (reference value)	10 $\mu$ A at 1 VDC (resistive load)
Ambient operating temperature	-25°C to +70°C at 60%RH max. (with no icing or condensation)
Ambient operating humidity	35% to 85% (at +5 to +35°C)
Contact form	SPST-NO
Contact resistance (initial value)	100 m $\Omega$ max.
Insulation resistance	100 M $\Omega$ min. (at 250 VDC with insulation tester)
Dielectric strength	250 VAC, 50/60 Hz for 1 min
Bounce time	5 ms max.
Vibration resistance	Destruction: 10 to 55 Hz, 1.5-mm double amplitude
Shock resistance	Destruction: 980 m/s <sup>2</sup> (approx. 100 G) max.
Durability	1,000,000 operations min.
Degree of protection	IEC IP67
Washing	Not possible

## Operating Characteristics

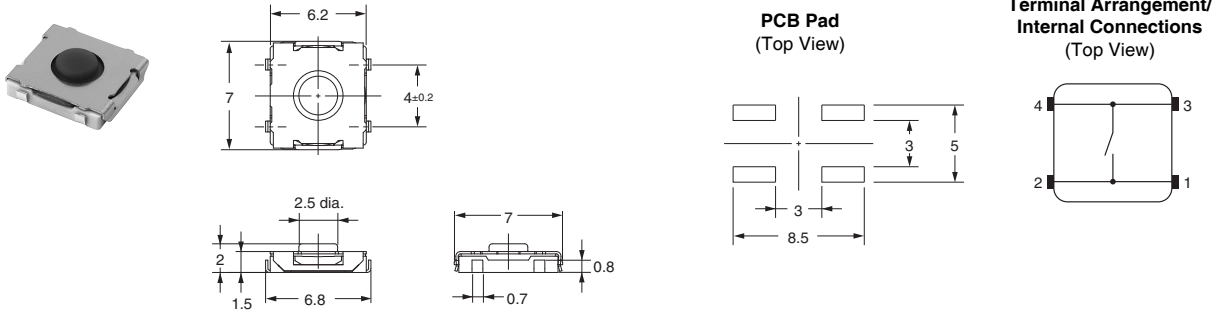
Item	Operation type	B3SE-1002P
Operating force (OF)		1.96 $\pm$ 0.49 N {200 $\pm$ 50 gf}
Releasing force (RF)		0.35 N min. {35 gf}
Pretravel (PT)		0.3 $\pm$ 0.2 mm

## Model Structure



### Dimensions (Unit: mm)

B3SE-1002P  
B3SE-1002P-R100



**Note:** Unless otherwise specified, a tolerance of  $\pm 0.4$  mm applies to all dimensions. No terminal numbers are indicated on the Switches.

### Precautions

Be sure to read the precautions common to all Tactile Switches on pages for correct use.

Please check each region's Terms & Conditions by region website.

## OMRON Corporation

Electronic and Mechanical Components Company

### Regional Contact

#### Americas

<https://www.components.omron.com/>

#### Asia-Pacific

<https://ecb.omron.com.sg/>

#### Korea

<https://www.omron-ecb.co.kr/>

#### Europe

<http://components.omron.eu/>

#### China

<https://www.ecb.omron.com.cn/>

#### Japan

<https://www.omron.co.jp/ecb/>

# Mouser Electronics

Authorized Distributor

Click to View Pricing, Inventory, Delivery & Lifecycle Information:

Omron:

[B3SE-1002P](#) [B3SE-1002](#)